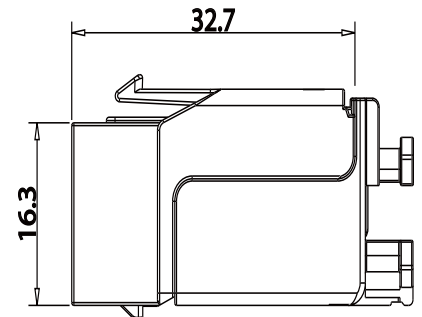
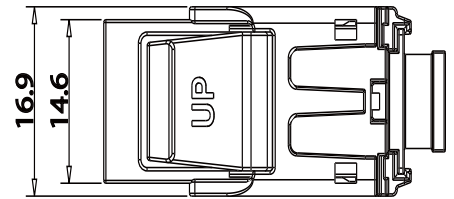


SURTEC presents 2013C-NEMAH1F CAT 6A keystone jack. With CAT 6A component performance, the jack is compatible with SURTEC NE-Tool solution to provide a revolutionary solution with fast, easy, and accurate termination.

Features :

1. CAT 6A FTP 90° keystone jack
2. Compatible with CAT 6A component performance (ISO/IEC 11801)
3. UL 1863 safety listed
4. UL 94V-0 fire retardant plastic
5. Compatible with SURTEC NE-Tool solution



Applications :

1. For CAT 6A Ethernet FTP Solution
2. Compatible with SURTEC Faceplate
3. Compatible with SURTEC Snap-in Patch Panel
4. Compatible with SURTEC Surface Mount Box

ISO/IEC 11801 Component Performance Requirements

CAT 6A	Bandwidth	NEXT	FEXT	Insertion Loss	Return Loss
2013C-NEMAH1F	(dB) at 500MHZ	>37	>29.1	<0.45	>14.0



2013C-NEMAH1F

CAT 6A FTP 90° keystone jack

** CAT 5e & CAT 6 FTP 90° keystone jack are available

Ordering Information

Item(s) / Polybag	Items/Inner box	Items/Outer box
1	70	280
Material	Zinc-alloy	