

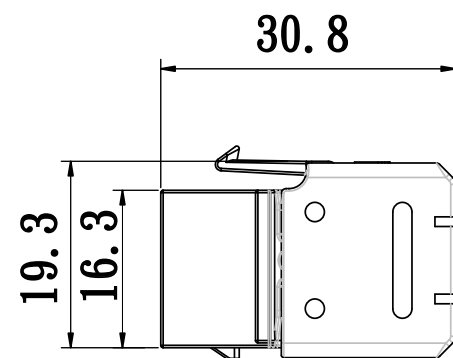
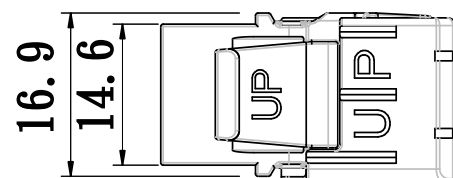
SURTEC presents our **2013F-FMAHD1 CAT 6A UTP 180° Keystone Jack**. It has **CAT 6A** connecting hardware performance and is compatible with **SURTEC's F-Tool** to provide a revolutionary solution with fast, easy and accurate termination. Dust cover design can provide port protection.

Features :

1. **CAT 6A UTP 180° quick jack**
2. **Compatible with CAT 6A component performance (ANSI/TIA-568.2-D)**
3. **UL 1863 safety listed**
4. **With shutter door**
5. **Compatible with SURTEC's F tool**

Applications :

1. **For Ethernet CAT 6A UTP solutions**
2. **Compatible with SURTEC faceplates**
3. **Compatible with SURTEC snap-in patch panels**
4. **Compatible with SURTEC surface mount boxes**



ANSI/TIA-568.2-D Component Performance Requirements

CAT 6A	Bandwidth	NEXT	FEXT	Insertion Loss	Return Loss
2013F-FMAHD1	(dB) at 500MHZ	>34	>29.1	<0.45	>14



2013F-FMAHD1

CAT 6A UTP 180° jack with shutter door

****CAT 5e and CAT 6 jack available**

Ordering Information

Item(s) / Polybag	Items/Inner box	Items/Outer box
1	100	400
Color	Customized colors available	